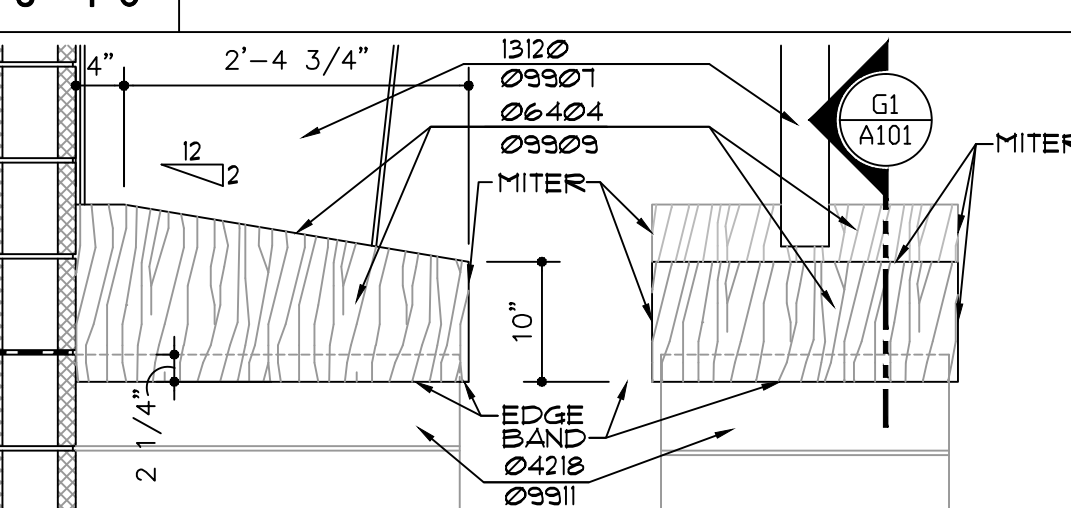
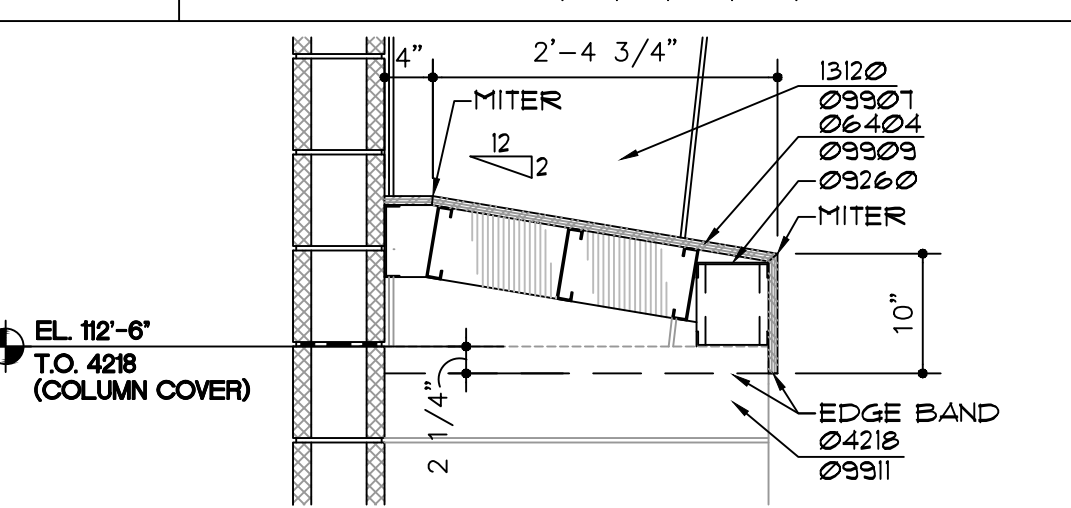


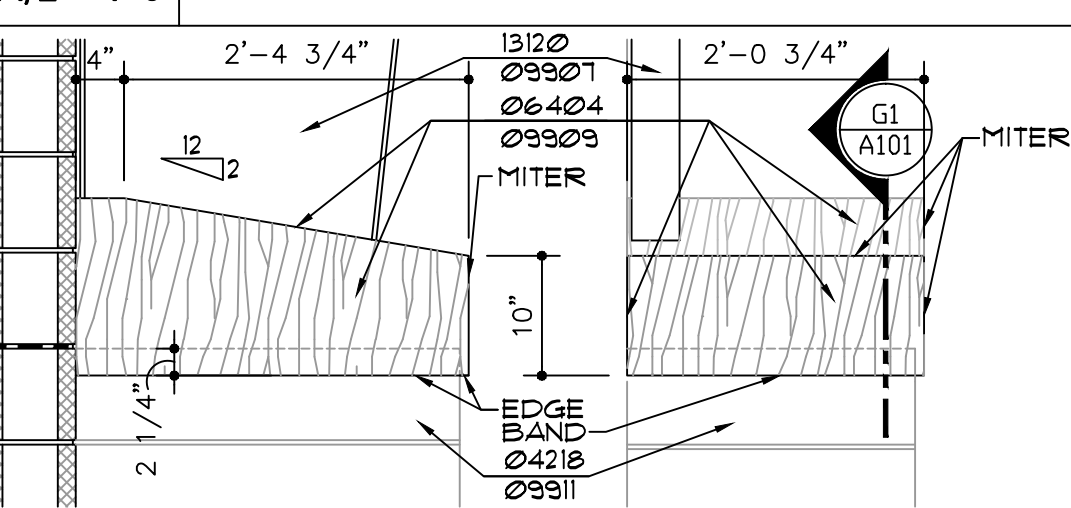
C1 PLAN DETAIL
 3' - 1'-0"



E1 COLUMN CAP DETAIL
 1 1/2' - 1'-0" • COLUMN LINES 1C, 1D, 1E, 4C, 4D, AND 4E



G1 COLUMN CAP SECTION
 1 1/2' - 1'-0"



J1 COLUMN CAP DETAIL
 1 1/2' - 1'-0" • COLUMN LINES 4B AND 4F

M4 PRACTICE GYM FLOOR PLAN at 14,394 gross square feet
 3/32" = 1'-0"



PRELIMINARY



CADCO
 ARCHITECTS - ENGINEERS, INC.
 2401 S. WILLIS, STE. 200 ABILENE, TEXAS 79605

NEW PRACTICE GYM and VO-TECH FACILITY
 RANKIN I.S.D.
 RANKIN, TEXAS

PROJECT NUMBER A641
 AUGUST 31, 2015

A101