

**GENERAL NOTES**

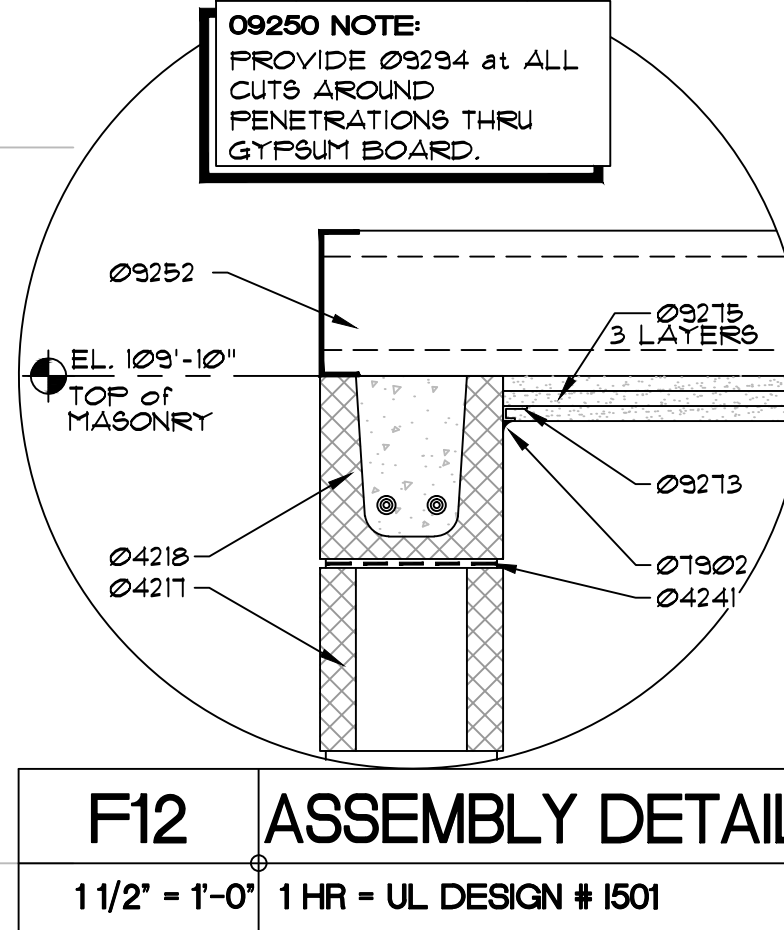
- A. PLAN DIMENSIONS ARE TO FACE OF STUD OR FACE OF MASONRY
- B. REFER TO SPECIFICATION SECTION 08000 FOR DOOR FRAME AND HARDWARE SCHEDULE
- C. REFER TO SPECIFICATION SECTION 09000 FOR ROOM FINISH SCHEDULE
- D. REFER TO ELECTRICAL FOR POWER REQUIREMENTS
- E. REFER TO FIRE SPRINKLER SHEETS FOR PLACEMENT OF THE FIRE RISER EQUIPMENT.

**WALL SCHEDULE**

- 3" x 25 GAUGE METAL STUD WALL WITH 5/8" TYPE "X" GYPSUM BOARD EACH SIDE PROVIDE "MR" GYP. BD. AT "WET WALLS"
- FULL HEIGHT FIRE WALL WITH METAL STUD and ONE LAYER 5/8" GYPSUM BOARD and ONE 1/2" LAYER CEMENT BACKER BOARD ACCORDING TO UL #1425
- CONCRETE MASONRY UNIT WALL WITH ONE HOUR FIRE RATED DRYWALL ASSEMBLY EXTENDING FROM TOP OF CMU TO ROOF "FIRE SEALED", UNLESS NOTED OTHERWISE
- CONCRETE MASONRY UNIT WALL WITH DRYWALL ASSEMBLY EXTENDING FROM TOP OF CMU TO ROOF FURLIN
- CONCRETE MASONRY UNIT WALL
- METAL PANEL WAINSCOTING EQUAL TO "MCI" 12 PANEL x 22 GAUGE x 1'-2" HIGH (WITH MATCHING METAL "J" TRIM AT TOP)
- FACE BRICK WAINSCOT

**NUMBERED NOTES**

- DIV. 3 - CONCRETE**  
03045 6" STANDARD WEIGHT PIPE - PROVIDED and INSTALLED BY 03010 CONTRACTOR
- DIV. 4 - MASONRY**  
04200 MODULAR FACE BRICK  
04210 8" CMU  
04218 8" CMU BOND BEAM WITH CONTINUOUS #6 BAR - GROUT FULL (TYPICAL)  
04241 GALVANIZED LADDER TYPE MASONRY REINFORCING 2'-0" O.C.V.
- DIV. 7 - THERMAL + MOISTURE PROTECTION**  
07902 FIRE-RATED SEALANT
- DIV. 9 - FINISHES**  
09252 6" x 20 GA. METAL STUD at 12" O.C.  
09273 1/2" MOLD METAL TRIM  
09275 5/8" GYPSUM BOARD - TYPE "X"  
09294 FIRE SEAL CUT OPENINGS THROUGH FIRE RATED WALL in ACCORDANCE WITH UL STANDARDS - TYPICAL ALL FIRE RATED WALL ASSEMBLIES  
09900 EPS-1 (FERROUS METAL -- HIGH GLOSS FINISH)
- DIV. 10 - SPECIALTIES**  
10103 MARKER BOARD x 4'-0" HIGH x 12'-0" WIDE RECESSED MOUNTED FIRE EXTINGUISHER CABINET WITH 5 LB. "ABC" FIRE EXTINGUISHER - NOTE WHERE CABINET IS SHOWN AT FIRE RATED WALL PROVIDE "FLAME SHIELD" AT CABINET EQUAL TO FIRE RATING OF WALL  
10522 SURFACE MOUNTED 5 LB ABC EXTINGUISHER  
10800 STAINLESS STEEL FRAMED MIRROR- 18x36 SEE TO J11020 for MOUNTING HEIGHT
- DIV. 13 - SPECIAL CONSTRUCTION**  
13128 MAN'S STANDARD METAL WALL PANEL (20 YR FINISH) WITH COLOR MATCHING FASTENER  
13130 METAL LINER PANEL EQUAL TO "MBCI" 12 PANEL x 22 GAUGE x 1'-2" HIGH - FABRICATE WITHOUT OIL CANNING, GALVALUM FINISH  
13134 MANUFACTURER'S STANDARD 6" WHITE VINYL FACED ROLL INSULATION  
13135 8" FURLIN or GIRT (GAUGE by 13120 MANUFACTURER)



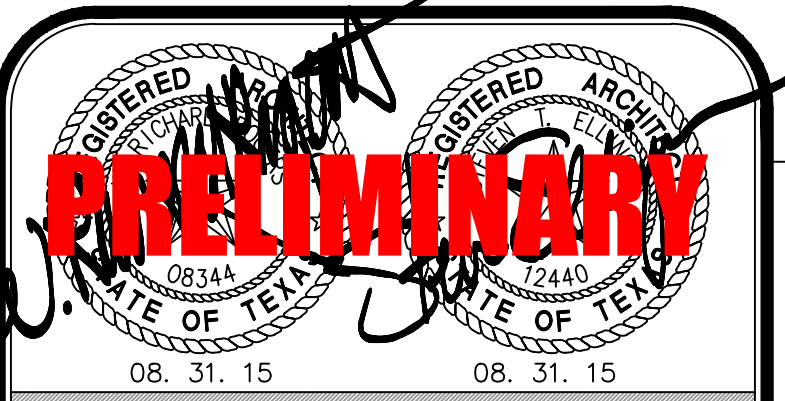
**F12 ASSEMBLY DETAIL**  
1 1/2" = 1'-0" 1 HR - UL DESIGN # 1501

**OWNER FURNISHED and INSTALLED EQUIPMENT**

- EXISTING SHOP EQUIPMENT
- 01 JIGSAW
- 02 LATHE
- 03 LATHE
- 04 SANDER
- 05 SMALL LATHE
- 06 JIGSAW
- 07 ROUTER RACK
- 08 TABLE SAW/ROUTER
- 09 WORK TABLE
- 10 JOINER
- 11 BOX LANE
- 12 SANDER
- 13 SANDER
- 14 SANDER
- 15 BELT SANDER
- 16 BAND SAW
- 17 DRILL PRESS
- 18 BAND SAW
- 19 WOOD SHAPER
- 20 DRILL PRESS
- 21 MITRE SAW
- 22 BELT SANDER
- 23 MITRE SAW
- 24 JOINER
- 25 SPINDLE SANDER
- 26 WOOD SHAPER
- 27 CHOP SAW
- 28 GLUE RACKS
- 29 GRINDER
- 30 DRILL PRESS
- 31 GRINDER
- 32 BELT SANDER
- 33 WELDING TABLES
- 34 PLASMA TABLE
- 35 TABLE SAW
- 36 FREEZER
- 37 SAND BLASTER
- 38 AIR COMPRESSOR

**L1 PLAN DETAIL**  
1 1/2" = 1'-0" TYPICAL at CMU and STRUCTURE

**M1 VO-TECH FLOOR PLAN at 12,440 gross square feet (enclosed area)**  
1/8" = 1'-0"



**NEW PRACTICE GYM and VO-TECH FACILITY RANKIN I.S.D. RANKIN, TEXAS**

PROJECT NUMBER A641  
AUGUST 31, 2015  
**A102**